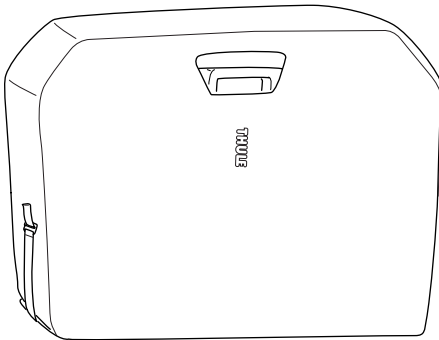


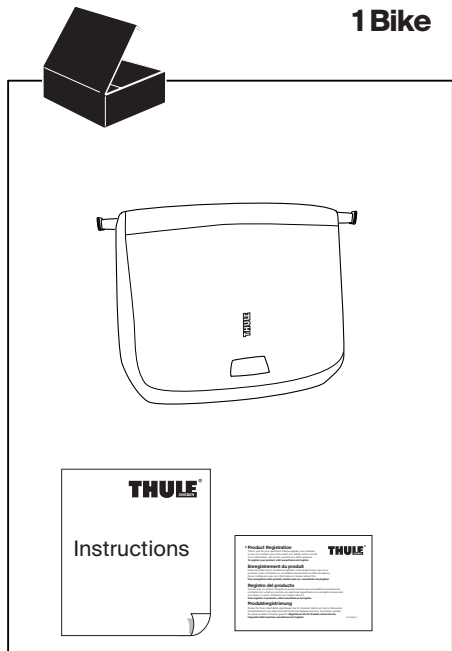
Instructions

Thule storage bag 1/2/3-bike
9050100 / 9050200

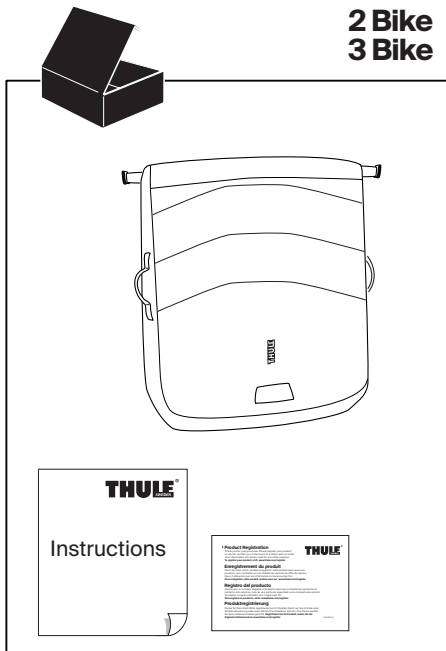




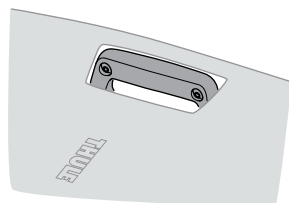
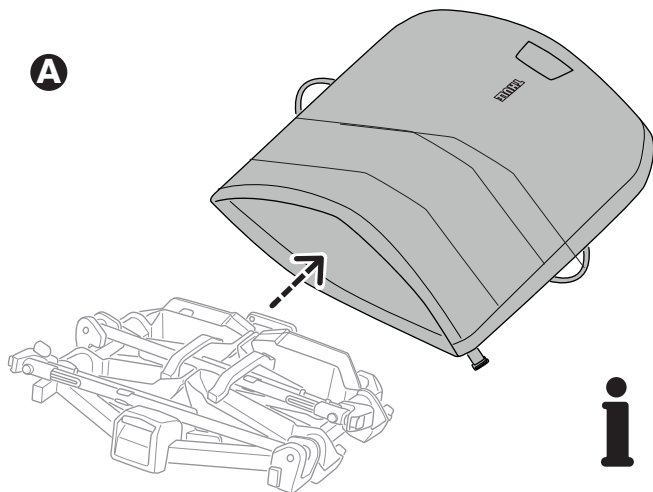
1 Bike



2 Bike
3 Bike



A



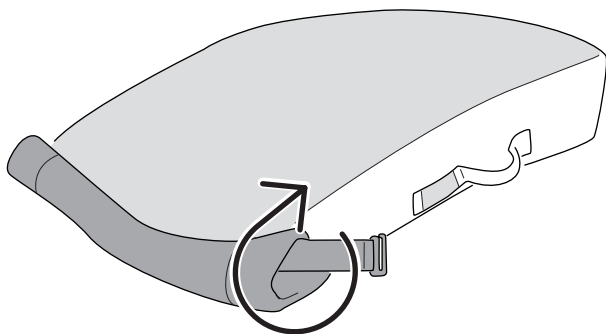
B

2 ↻

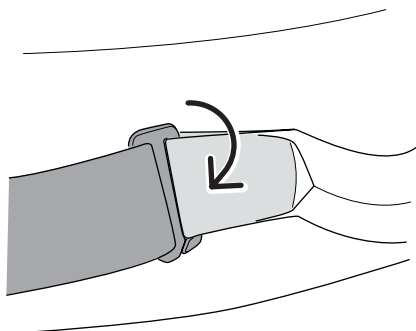
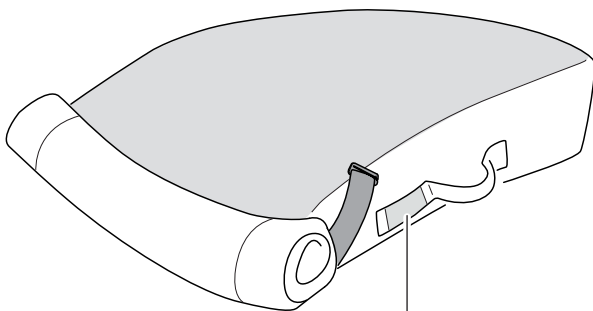
**1 Bike
3 Bike**

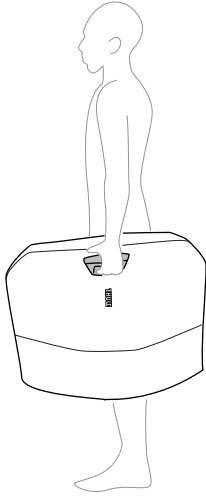
5 ↻

2 Bike

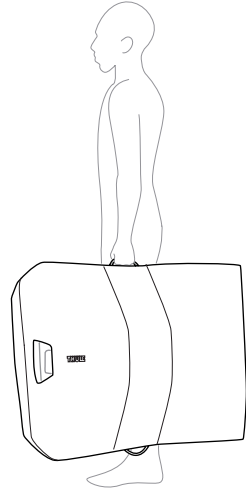


C

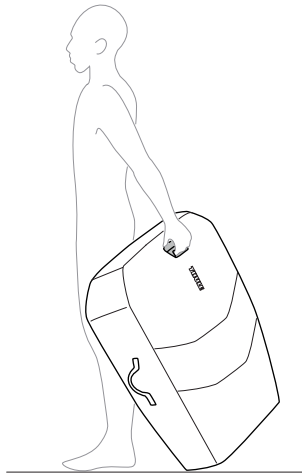




**1 Bike
2 Bike**



3 Bike



Thule Sweden AB

Borggatan 5, 335 73 Hillerstorp, Sweden
info@thule.com | www.thule.com

©Thule. All rights reserved.
5566313001 | 2025-01-15 #01